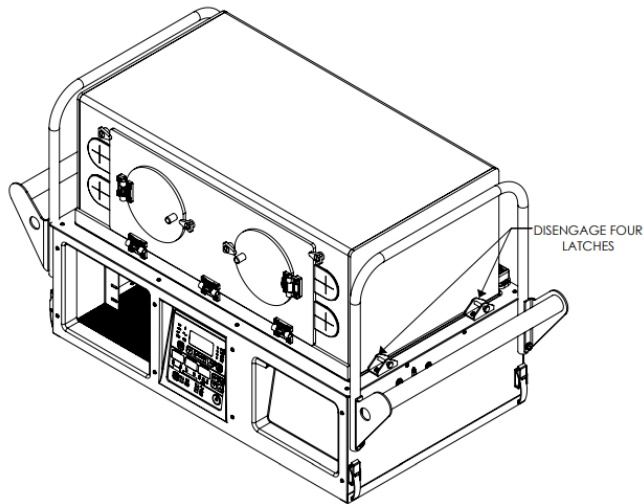
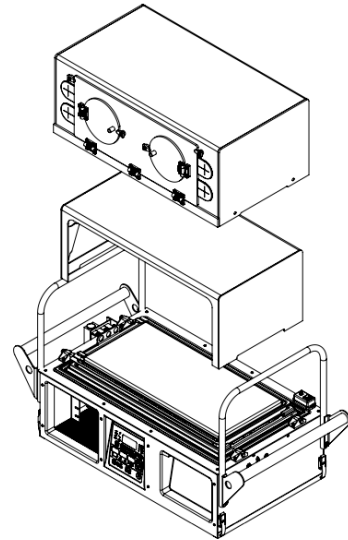


AirBorne Voyager Transport Incubator - Cleaning Guide Addendum

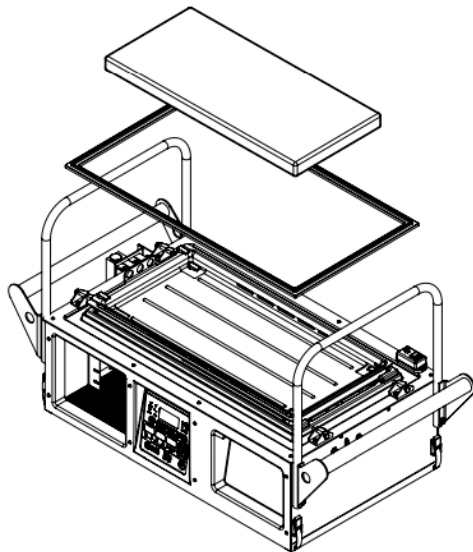
This cleaning guide details the appropriate steps to fully disassembly the AirBorne Voyager Transport Incubator for cleaning purposes and should be considered as a supplement to the Operator's Manual.



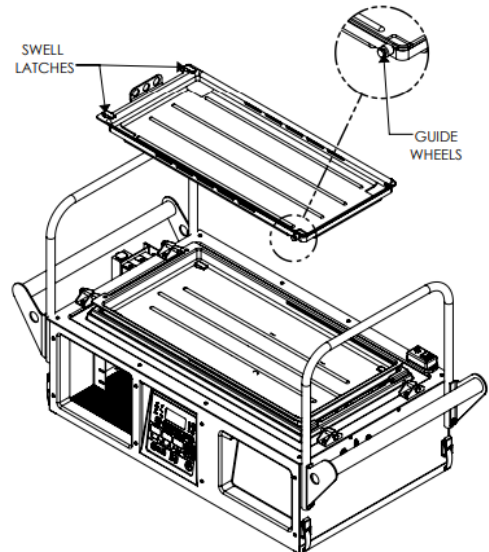
1. Extend each chamber latch (4) away from the chamber.



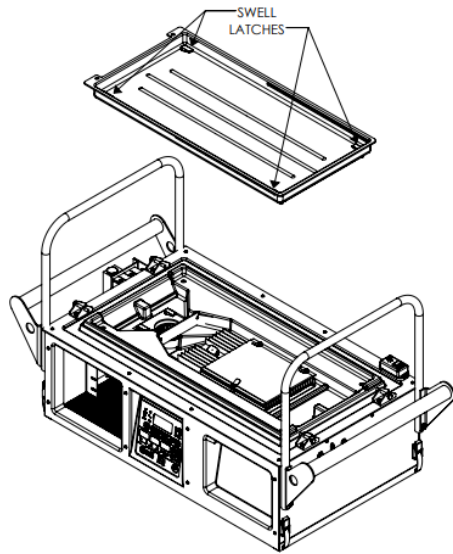
2. Carefully remove the infant chamber and separate each piece (Inner & Outer) on a stable surface.



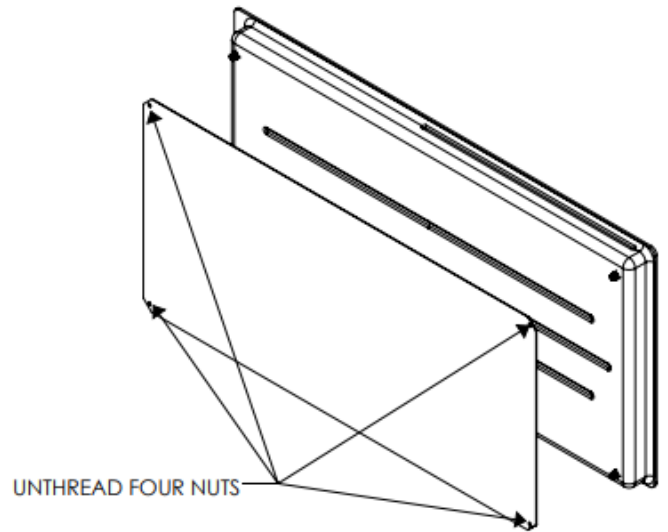
3. Remove the patient mattress and the infant chamber sealing gasket.



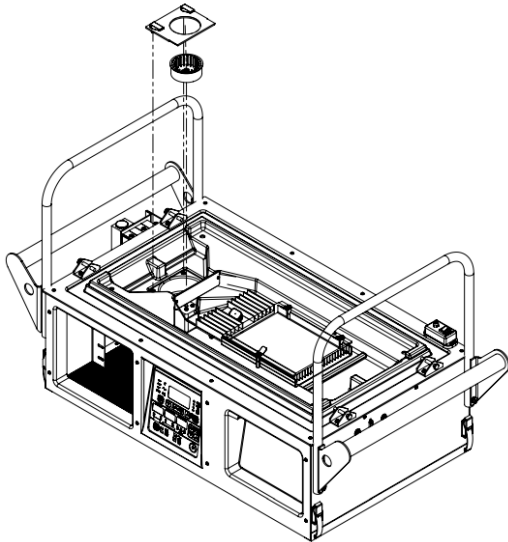
4. Remove the intubation tray by toggling the black swell latches (2) in the up position, pulling up on the tray and then removing the guide wheels (2) from their tracks.



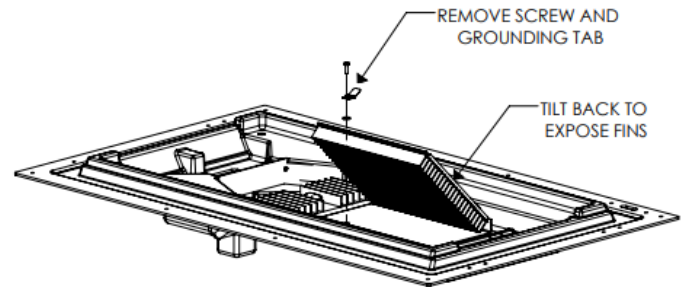
5. Remove the patient tray by toggling the black swell latches (4) in the up position and then pull up on the tray.



6. Separate the patient tray from the aluminum deflector panel by unthreading the 4 nuts at each corner of the tray.



7. Remove the impeller guard by toggling the black swell latches (2) in the up position and then pull up on the impeller guard. Once exposed, pull the impeller off the motor shaft.



8. Using a Philips head screw driver, remove the front screw, washer and grounding tab securing the heat sink. Rotate the heat sink back to expose the fins for cleaning.

9. Once disassembled, thoroughly clean all surfaces with approved cleaning solutions detailed in section 5 of the Operator's Manual. After the use of cleaning solutions, wipe down all surfaces with a damp cloth.

NOTE: Do not use cleaning solutions with Alcohol on the chamber. Repeated use may cause damage to the chamber over time.

10. Once all of the components are clean and dry, reverse the steps to reassemble the airflow tray and chamber.